

GENERAL CHARACTERISTICS

Nominal Overall Diameter	129	mm
Nominal Voice Coil Diameter	25	mm
Magnet Weight	280	g
Flux Density.....	0.95	T
Weight.....	0.85	Kg

THIELE-SMALL PARAMETERS

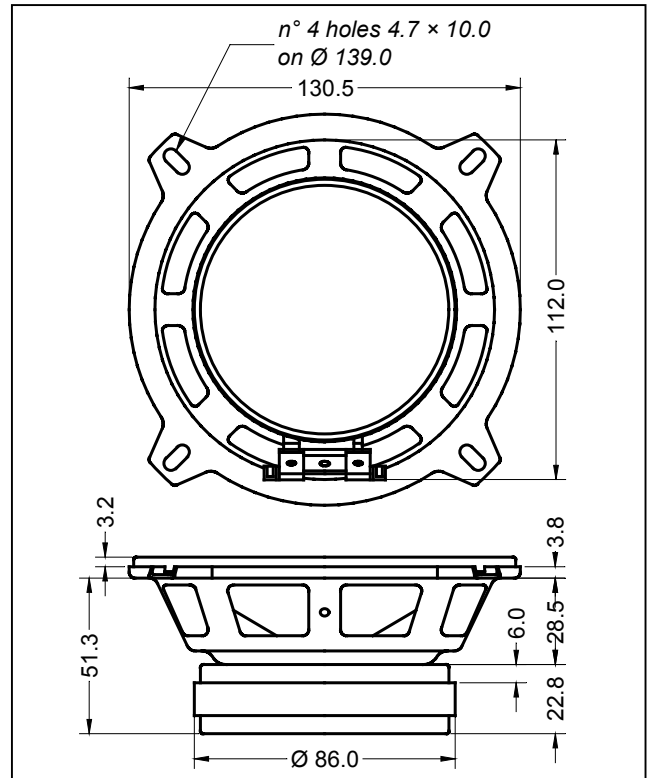
Voice Coil DC Resistance	R_E	6.34	Ω
Resonance Frequency	f_s	80.3	Hz
Mechanical Q Factor.....	Q_{MS}	9.40	
Electrical Q Factor.....	Q_{ES}	0.56	
Total Q Factor	Q_{TS}	0.53	
Mechanical Moving Mass	M_{MS}	6.9	g
Mechanical Compliance	C_{MS}	572	μm/N
Force Factor	$B \times l$	6.28	Wb/m
Equivalent Acoustic Volume.....	V_{AS}	5.0	lt.
Maximum Linear Displacement	X_{MAX}	+/-1.5	mm
Reference Efficiency	η_0	0.44	%
Diaphragm Area	S_D	78.5	cm ²
Losses Electrical Resistance.....	R_{ES}	107.0	Ω
Voice Coil Inductance @ 1kHz	L_E	0.33	mH

CONSTRUCTIVE CHARACTERISTICS

Magnet.....	Ferrite
Voice Coil Winding.....	Copper
Voice Coil Former.....	Epotex
Cone	Paper
Surround.....	Foam
Dust Dome	Dual-Cone
Basket	Pressed Sheet Steel

ELECTRICAL CHARACTERISTICS

Nominal Impedance.....	8	Ω
Musical Power	120	W
Rated Power*	60	W
Sensitivity @ 1 W, 1 m	89.5	dB



*rated power measured with 2 hours test with pink noise signal, 6 dB crest factor, loudspeaker mounted on enclosure

Frequency Response on IEC Baffle (DIN 45575) @ 1 W, 1 m - Impedance

